

INSTALLATION INSTRUCTIONS

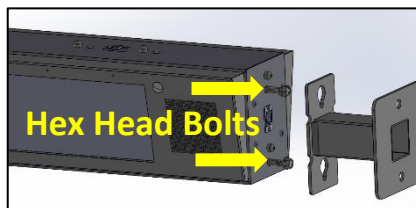
See video of these installation instructions on our website: anetd.com/ipcshd-ds-mb-installation

WARNING: This model has no user-serviceable internal components. Opening the unit will void the warranty. Contact AND Tech Support for assistance.

Additional Notes: Device requires POE+. If concerned with line performance, contact AND Tech Support at tech@anetd.com for a ferrite. Wrap last 20" of CAT5/CAT6 Ethernet cable around ferrite twice and clamp shut before connecting to network jack on side or top of device.

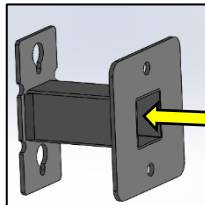
Wall Mount Installation

1. Loosen hex head bolts by ½" to allow bracket arm to clear safety studs.

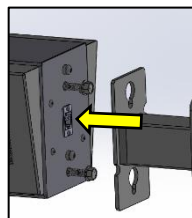


Separate bracket arm from main assembly. Use included template or bracket arm itself for marking wall mounting locations.

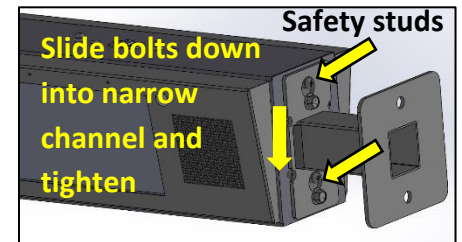
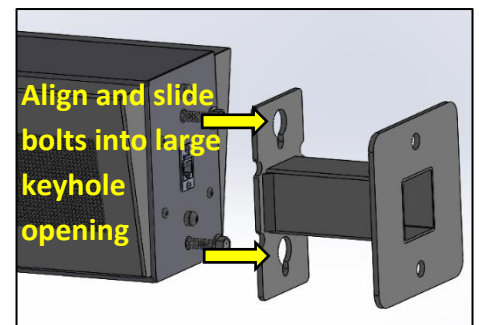
2. Run network cable (CAT5 or better) from POE+ switch or injector through bracket arm in direction shown, then attach bracket arm to wall using mounting hardware appropriate to the facility building materials. Note keyhole orientation with narrow channel of keyhole at bottom.



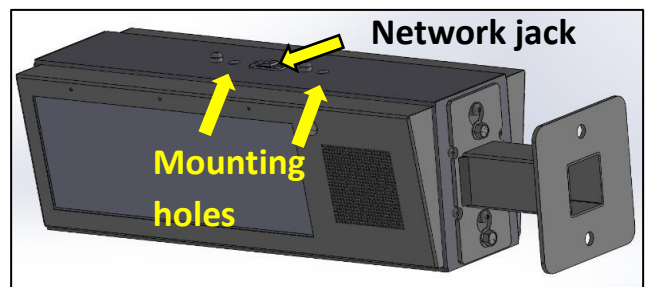
3. Connect network cable to network jack on side of device.



4. Align hex head bolts with keyhole feature in bracket arm and slide through large opening of keyhole. Allow device to drop into narrow channel of keyhole as safety studs enter top of keyhole. Bracket arm should support weight of product while tightening hex head bolts. Be sure no cables are pinched or trapped during the above process. Verify parts sit flush to each other and safety studs clear the bracket arm.

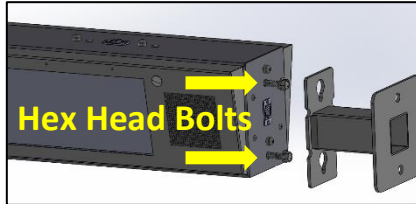


5. Install supplied dust caps in unused network jack and two mounting holes on top of product.

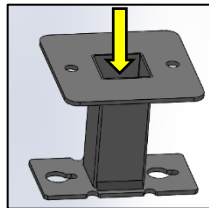


Ceiling Mount Installation

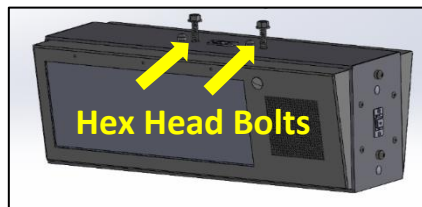
1. Loosen hex head bolts and separate bracket arm from main assembly. Use included template or bracket arm itself for marking ceiling mounting locations.



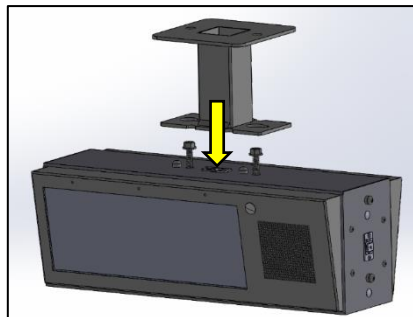
2. Run network cable (CAT5 or better) from POE+ switch or injector through bracket arm in direction shown, then attach bracket arm to load bearing ceiling supports using mounting hardware appropriate to the facility building materials. Note orientation of bracket arm to align viewing direction of clock in hallway or room.



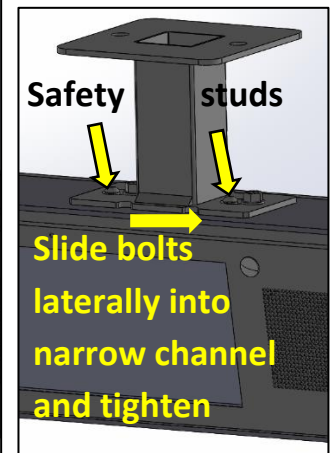
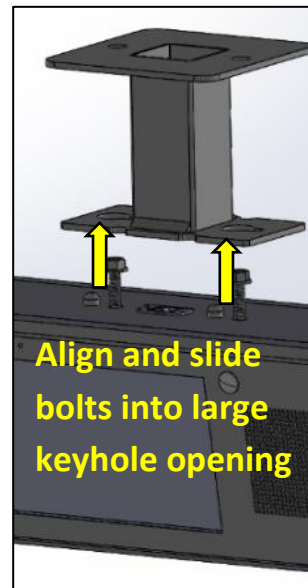
3. Remove hex head bolts from side of device and re-locate to top threaded holes. Leave 5/8" of threads exposed to allow bracket arm to clear safety studs during installation.



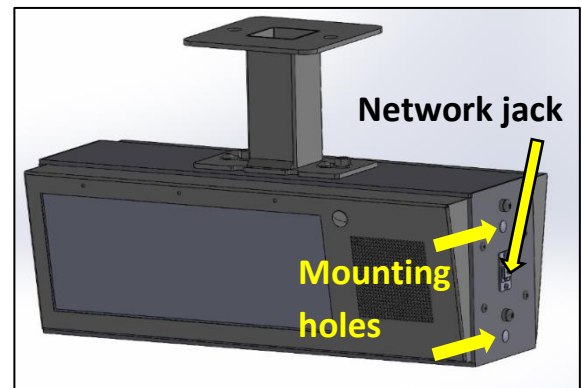
4. Connect network cable to network jack on top of device.



5. Align hex head bolts with keyhole feature in bracket arm and slide through large opening of keyhole. Slide product laterally to position bolt in narrow channel of keyhole. Safety studs should now be aligned in large portion of keyhole. Bracket arm should support weight of product while tightening hex head bolts. If parts are oriented correctly, safety studs will clear bracket into the large portion of keyhole. Be sure no cables are pinched or trapped during the above process. Verify parts sit flush to each other and safety studs clear the bracket arm.



6. Install supplied dust caps in unused network jack and two mounting holes on side of product.


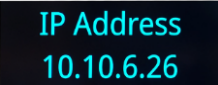
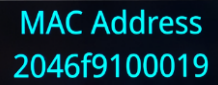
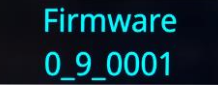



DEVICE OPERATION

1. Connect the other end of the network cable to a PoE+ (Power over Ethernet) network switch, or a PoE+ injector, on a network with a DHCP server. Find some supported equipment options listed at <https://www.anetd.com/project-resources/prepare-for-installation/>
2. If properly installed, the unit should boot up and show the time within 30 seconds. See boot sequence below.
3. Consult the IPClockWise User Manual (see <https://www.anetd.com/portal/>) or third-party software guide for further instructions on sending audio and text to the device.

BOOT SEQUENCE

When first powered on, if properly installed, the device should boot, and then display the time as follows:

1		The first screen you will see. This screen should appear within 15 seconds of powering on the device.
2		Indicates the IP address of the device. DHCP assigns this network-specific address. Otherwise, the static address will appear if configured as such. The AND jingle should playback over the speakers.
3		Indicates the network MAC address of the device (configured at the factory).
4		Indicates the current firmware version of the device.
5		Once all initialization completes, the time will display. If just a colon displays, it cannot find the time. Check the NTP server settings, and check that the Internet connection is working.

ADDITIONAL RESOURCES

User Support:	https://www.anetd.com/user-support/
Technical Resources:	https://www.anetd.com/user-support/technical-resources/
AND Limited Warranty:	https://www.anetd.com/warranty/
AND Legal Disclaimer:	https://www.anetd.com/legal/