



IPSTROBE-O

Outdoor IP Strobe

Overview

Provide an additional mode of emergency notification or alert messaging on the perimeter of your facility with the PoE Outdoor IP Strobe (IPSTROBE-O).

The IPSTROBE-O easily integrates with VoIP phone systems, approved 3rd party software, and includes ClockWise Campus software with purchase.

Description



SOFTWARE

ClockWise Campus software included. Compatible with approved third-party software.



SIP INTEGRATION

SIP-enabled. Easily interfaces with VoIP / SIP phone systems.



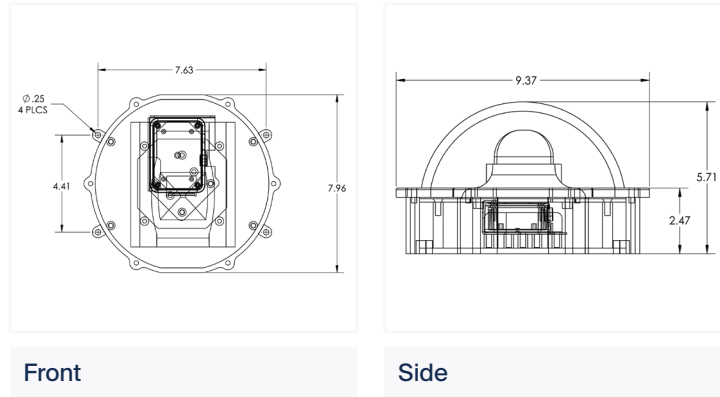
OUTDOOR APPLICATIONS

Outdoor rated IP strobe. Weather resistant enclosure.

| Solutions | Additional Features | Accessories |
|--|--|--|
| <ul style="list-style-type: none"> • Code alerts • Emergency notification • Security monitoring | <ul style="list-style-type: none"> • Built-in web server • Full multicast and broadcast support • Requires Cat5 or Cat6 cable • Ships with a blue lens • Weather resistant closure included | <p>Color Lenses from System Sensor</p> <ul style="list-style-type: none"> • Yellow, Green, Red • Blue lens included |

Dimensions

(Dimensions are subject to change)



Front

Side

Specifications

Due to continual product development, specifications are subject to change without notice.

| | |
|-----------------------|--|
| Power Input | PoE (IEEE802.3af) 15.4 W or PoE+ (IEEE802.3at) 30.0 W (LED Power Indication) |
| Ethernet I/F | 10/100 Mbps |
| Flash Rate | 1 Flash per second |
| Luminous Intensity | 15/75 Candela |
| Supported Protocols | SIP, IPv4, IPv6, 802.1X, HTTP, SLP, TFTP, NTP, SNMPV1 & SNMPV2c, DHCP, IGMP, ICMP, TCP/IP, LLDP-MED, UDP, MDNS & MDNS-SD |
| Operating Temperature | 14° TO 122° F (-10° TO 50° C) |
| Dimensions | 7.63" W x 7.96" H x 5.71" D |
| Weight | 3 lbs (1.36 kg) |
| Warranty | 2 Year Limited |

