

ZONEC2

Zone Controller



Overview

Connect non-network devices to the network with the Zone Controller (ZONEC2). The full-featured, multi-purpose unit interacts directly with an organization's mass notification system, acting as a hub for a variety of devices. The ZONEC2 can broadcast audio, via the network, to existing traditional speakers that are connected to an amplifier. It can also act as an intermediary between fire panels, security systems, and sensors to automate safety procedures.

The ZONEC2 also integrates with approved 3rd party software and includes ClockWise Campus software with purchase.

Description



PERIPHERAL INTEGRATION

Connect an existing amplifier, sensor, contact closure, access control device, microphone, CD/MP3 player, strobe, and more.



SOFTWARE

ClockWise Campus software included. Compatible with approved third-party software.



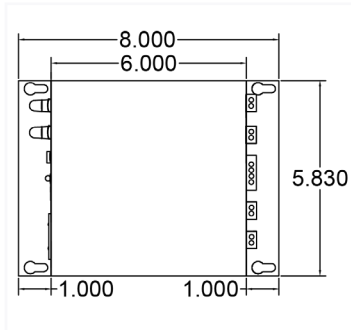
SIP INTEGRATION

Call to page analog speakers.

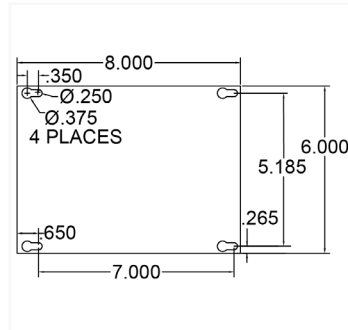
Solutions	Additional Features	Compatible Peripherals
<ul style="list-style-type: none"> • Paging • Bell scheduling • Code alerts • Emergency notification • Access control • Security monitoring • Music streaming 	<ul style="list-style-type: none"> • Built-in web server • Full multicast and broadcast support • Requires Cat5 or Cat6 cable • Microphone input for paging station 	<p>Call Button Kit</p> <ul style="list-style-type: none"> • AND-BTN-KIT-1 <p>Strobe Kit</p> <ul style="list-style-type: none"> • AND-STROBE-KIT-1

Dimensions

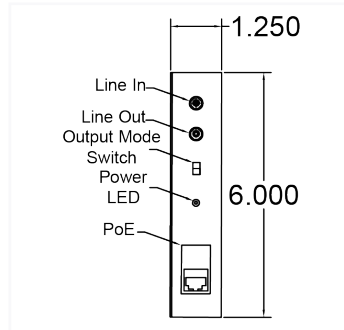
(Dimensions are subject to change)



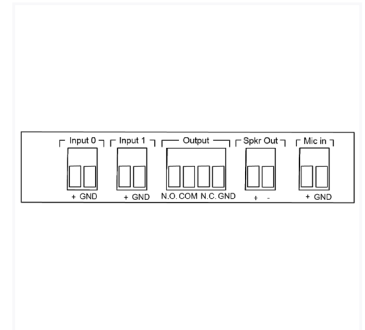
Front



Back



Side



Terminal Connection Detail

Specifications

Due to continual product development, specifications are subject to change without notice.

Power Input	PoE (IEEE802.3af) 15.4 W or PoE+ (IEEE802.3at) 30.0 W
Ethernet I/F	10/100 Mbps
Audio Power	8 W / 16 W
Speaker Output	8-ohm
Supported Protocols	SIP, IPv4, IPv6, 802.1X, HTTP, SLP, TFTP, NTP, SNMPV1 & SNMPV2c, DHCP, IGMP, ICMP, TCP/IP, LLDP-MED, UDP, MDNS & MDNS-SD
General Purpose Interface	2 GPI 1 GPO: Contact Closure or 12 VDC
Audio Interface	Analog Line In Analog Line Out
Operating Temperature	0° TO 50° C (34° TO 122° F)
Dimensions	8.0" W x 1.25" H x 6.0" D
Weight	1 lb 8 oz (680 g)
Warranty	2 Year Limited

