

[AN036]



ADVANCED
NETWORK DEVICES

Attaching Ferrite Core

Version 2.0

9/5/2017

© 2017 ADVANCED NETWORK DEVICES

3820 NORTH VENTURA DR.

ARLINGTON HEIGHTS, IL 60004

U.S.A

ALL RIGHTS RESERVED

PROPRIETARY NOTICE AND LIABILITY DISCLAIMER

The information disclosed in this document, including all designs and related materials, is the valuable property of Digital Advanced Network Devices and/or its licensors. Advanced Network Devices and/or its licensors, as appropriate, reserve all patent, copyright and other proprietary rights to this document, including all design, manufacturing, reproduction, use, and sales rights thereto, except to the extent said rights are expressly granted to others.

The Advanced Network Devices product(s) discussed in this document are warranted in accordance with the terms of the Warranty Statement accompanying each product. However, actual performance of each product is dependent upon factors such as system configuration, customer data, and operator control. Since implementation by customers of each product may vary, the suitability of specific product configurations and applications must be determined by the customer and is not warranted by Advanced Network Devices.

To allow for design and specification improvements, the information in this document is subject to change at any time, without notice. Reproduction of this document or portions thereof without prior written approval of Advanced Network Devices is prohibited.

Static Electric Warning

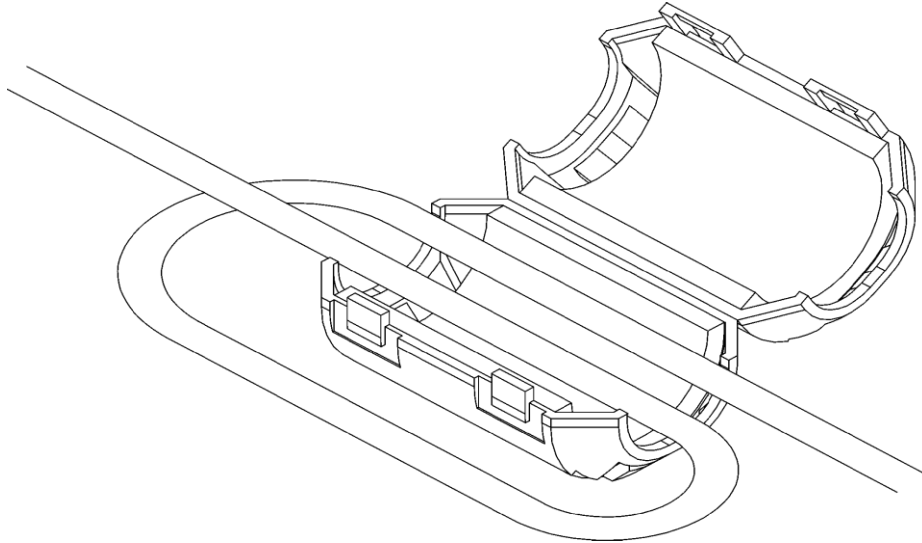


TROUBLESHOOTING AND ADDITIONAL RESOURCES

Complete Support Site with User Guides & Help: <http://www.anetdsupport.com/>
Additional App Notes: <http://www.anetdsupport.com/AppNotes>
Customer Feedback Survey: <http://www.anetdsupport.com/survey>
AND Legal Disclaimer: <http://www.anetd.com/legal>

PROCESS TO ATTACH THE FERRITE CORE

1. Loop the Cat5 cable once through the ferrite core, and lock it shut. Note: Attach the core as close as possible to the device enclosure.



2. Take care not to pinch the cable or your fingers when closing and locking the ferrite core.

