

# IP Horn Installation Guide

IPHORN

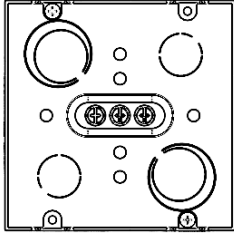


## Installation Instructions

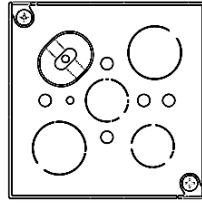
If concerned with line performance, contact ANetD Tech Support at [tech@anetd.com](mailto:tech@anetd.com) for a ferrite. Wrap CAT5 or CAT6 network cable around ferrite once and clamp shut.

# Compatible Junction Boxes

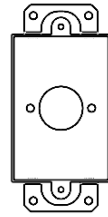
## Interior



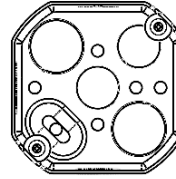
2 Gang



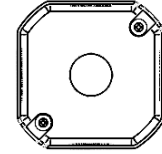
4S



1 Gang

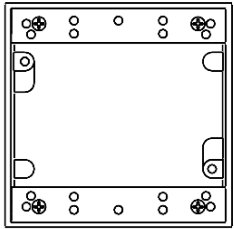


4" Octagon

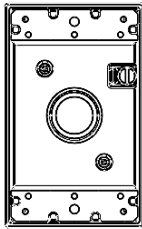


3 1/2" Octagon

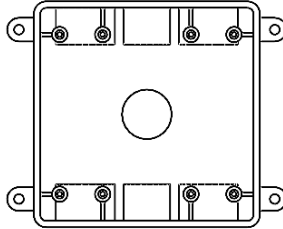
## Weatherproof



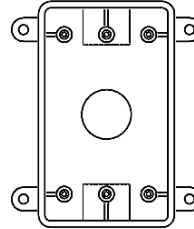
2 Gang  
(Metal)



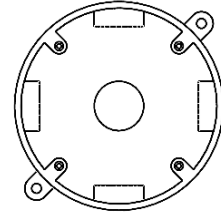
1 Gang  
(Metal)



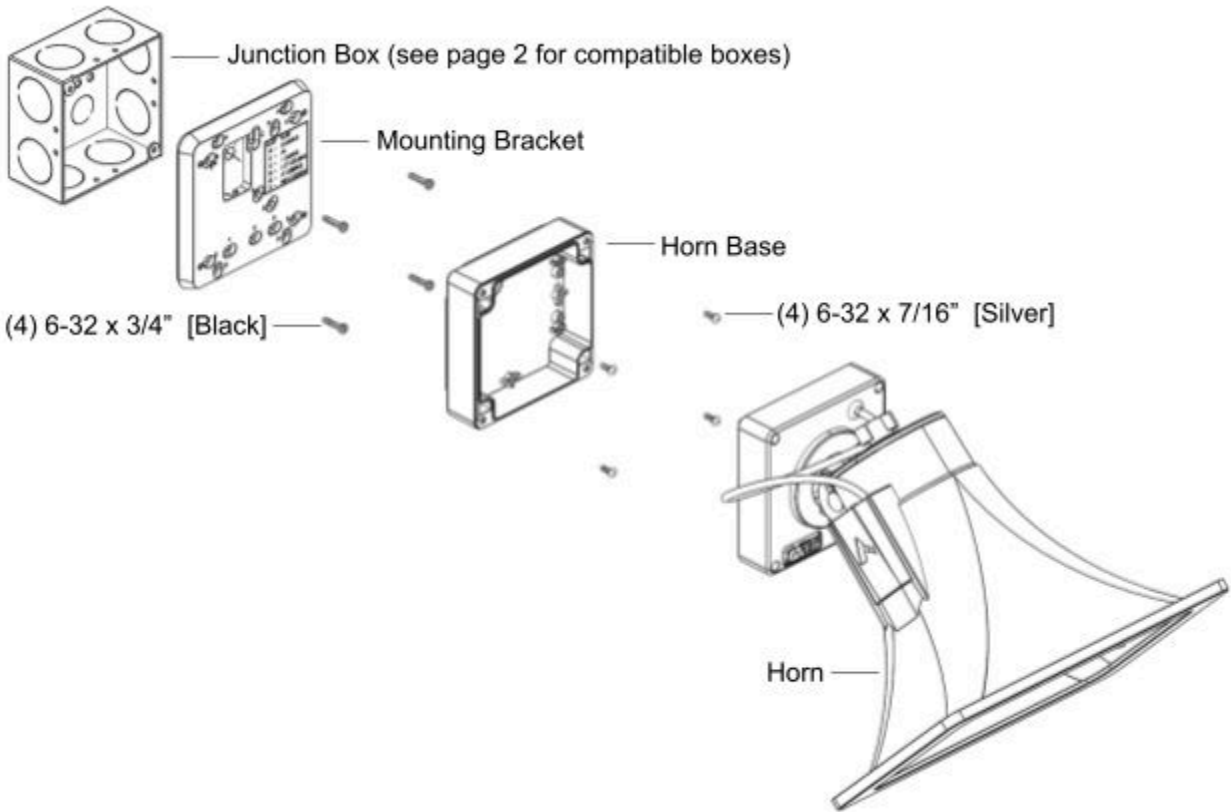
2 Gang  
(Plastic)



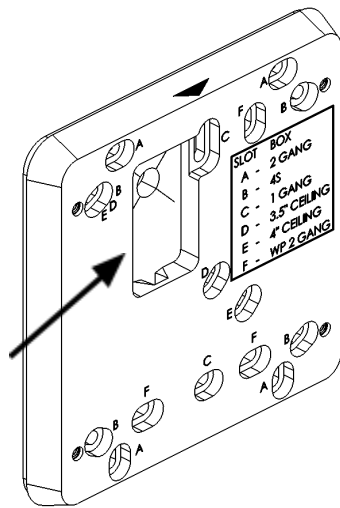
1 Gang  
(Plastic)



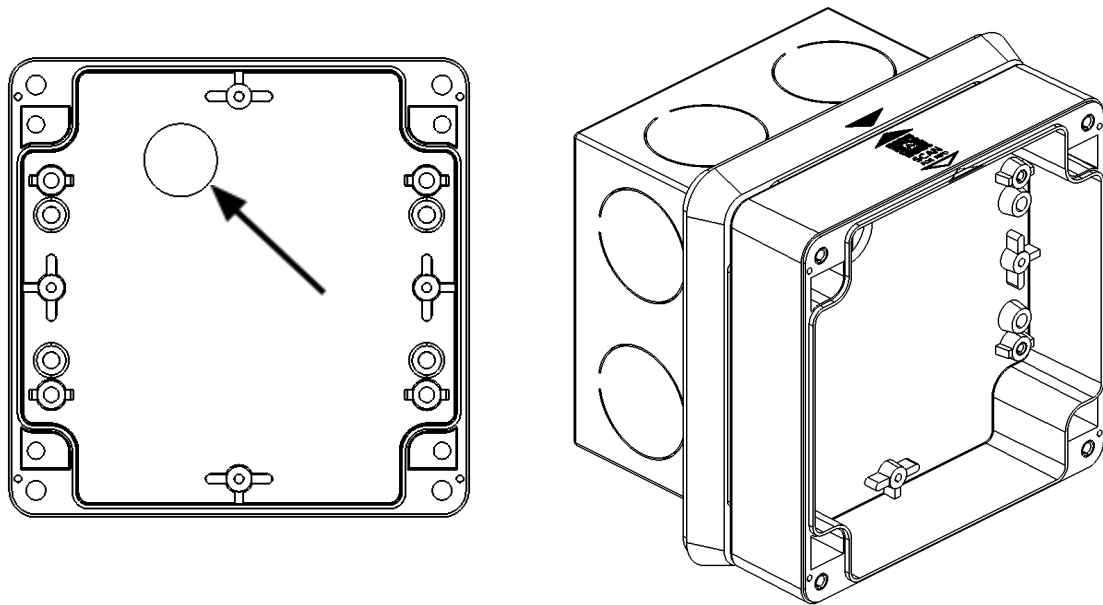
4" Round  
(Plastic)



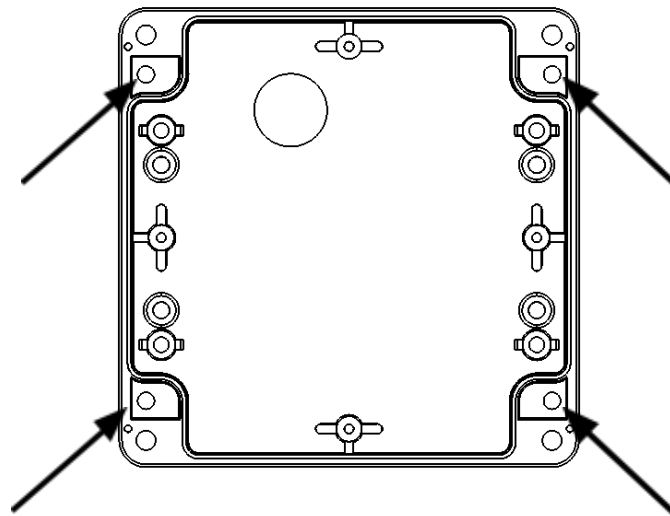
1. Feed the network cable from the junction box through the rectangle hole on the mounting bracket. Ensure that the solid triangle on top of the mounting bracket is facing up.



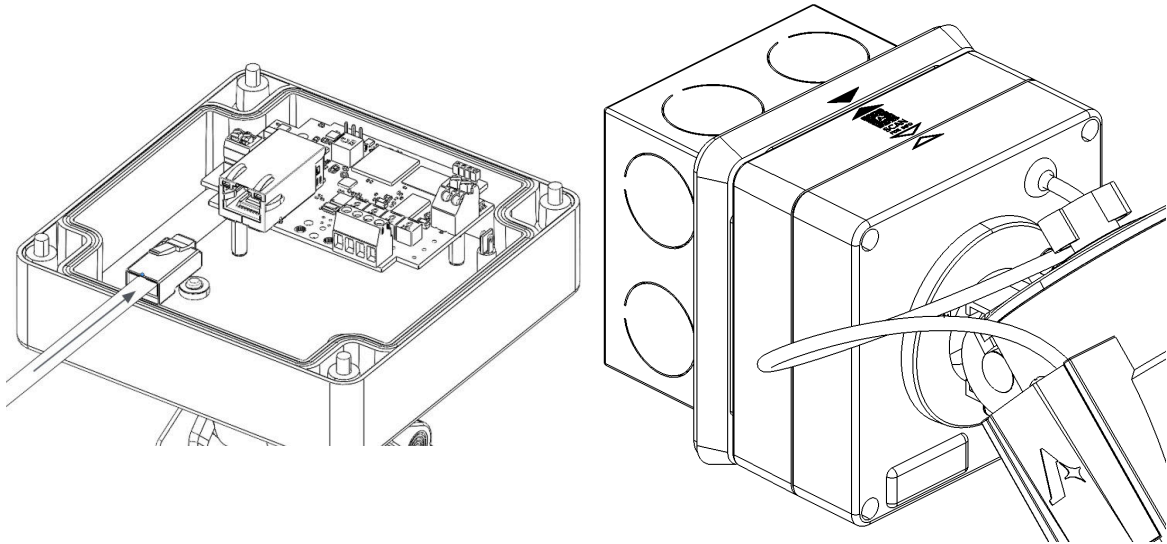
2. Align the slots on the mounting bracket with the holes on the junction box and use up to (4) black 6-32 x 0.75 screws to secure. The mounting bracket has a guide to help determine the best slots to use for a corresponding junction box.
3. Feed the network cable through the hole on the horn base. Line up the solid triangle on the horn base with the solid triangle on the mounting bracket.



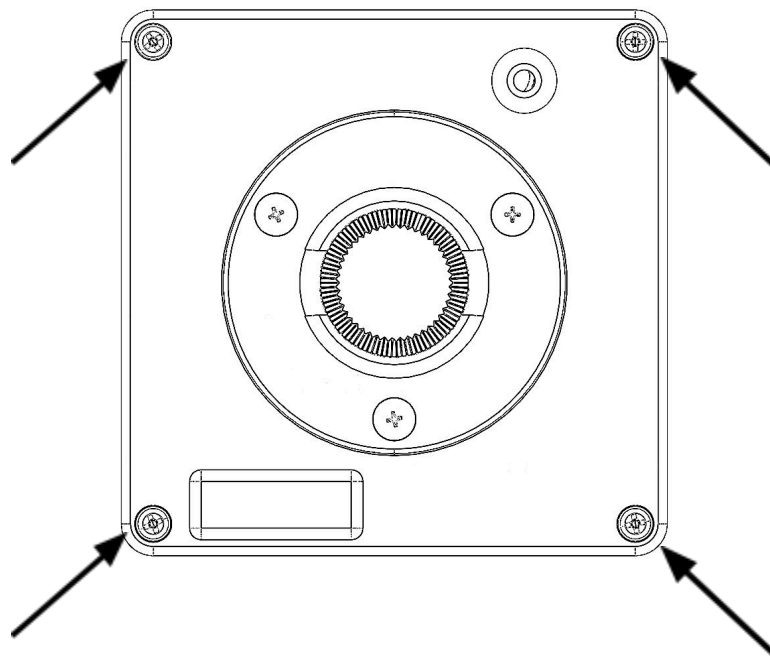
4. Use the (4) silver 6-32 x 7/16" screws to attach the Horn base to the mounting bracket.



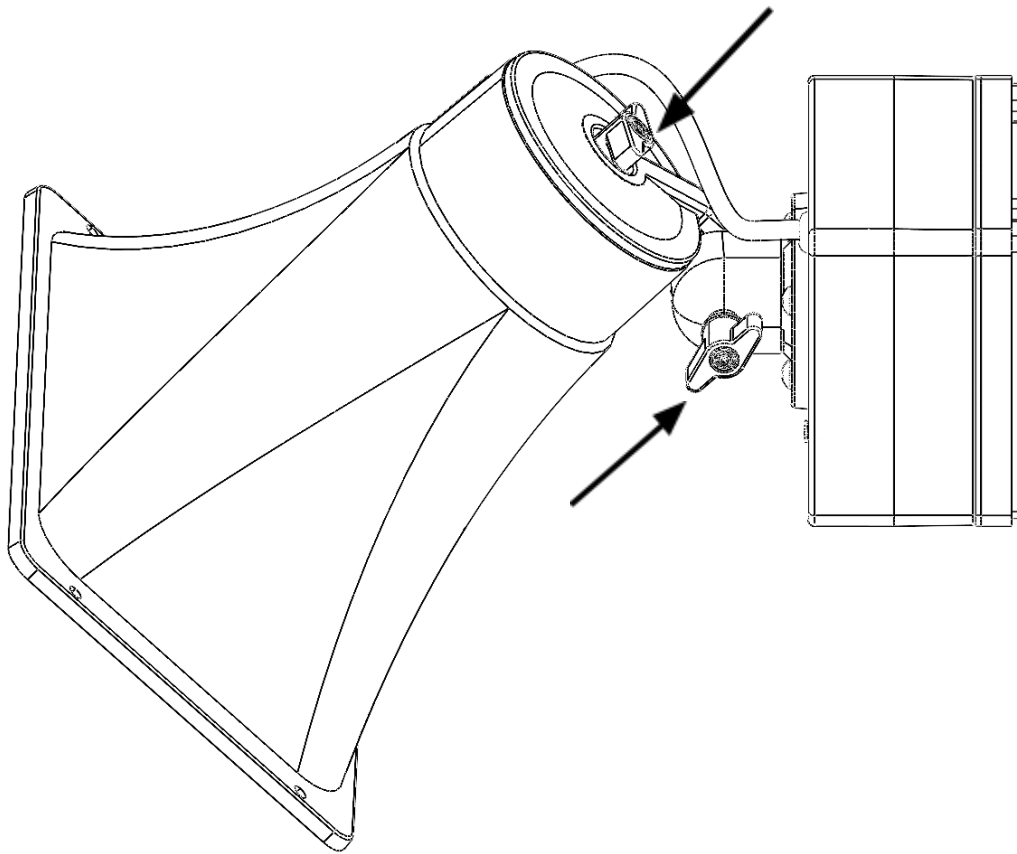
5. Plug the network cable into the jack on the control module located in the horn. Bring the horn closer to the horn base. Excess network cable can be pushed back into the hole on the horn base. Align the line triangle on the horn base with the line triangle on the horn.



6. Attach the horn to the horn base by way of the (4) screws in the housing of the Horn



7. Use the two knobs on the horn to adjust the rotation and pitch to the desired location.



**WARNING: Device is water-resistant, not waterproof. Do not pressure wash the exterior as excessive water may enter the enclosure cavity and damage electronic components, which would void the warranty. Additionally, you must install it with the arrow facing up (board above horn as shown in photo). Failure to do so may void the warranty.**

## Device Operation

1. Connect the other end of the network cable to a PoE (Power over Ethernet) network switch, or a PoE injector, on a network with a DHCP server. Find some supported equipment options listed at <https://anetd.com/resources/prepare-for-installation/>

**NOTE: ANetD products require an IEEE 802.3af/at/bt compatible switch or injector to correctly classify and supply the power needed for our devices. Use of non-standard PoE powering schemes (such as 24V passive PoE) may cause damage and void your warranty.**

2. If properly installed, the unit should boot within 30 seconds. The device will play a jingle when you apply power via the network cable, then beep once initialization completes.
3. Consult the ClockWise User Manual (see <https://portal.anetd.com/>) or third-party software guide for further instructions on sending audio to the device.

## Additional Resources

Support Center: <https://anetd.com/resources/>

Documentation: <https://anetd.com/resources/documentation/>

ANetD Warranty: <https://anetd.com/warranty/>

ANetD Legal Disclaimer: <https://anetd.com/legal/>

---

3820 Ventura Drive, Arlington Heights IL 60004  
[www.anetd.com](http://www.anetd.com) | [tech@anetd.com](mailto:tech@anetd.com) | 847-463-2236

