

# IPSCM

Square Ceiling Tile IP Speaker

## Overview

Designed as a drop-in replacement for a standard 2' x 2' ceiling tile, the PoE Square Ceiling IP Speaker (IPSCM) easily integrates with VoIP phone systems (SIP-enabled) to broadcast announcements in offices, hallways, classrooms, or any standard-sized room with a drop ceiling.

The IPSCM also integrates with approved 3rd party software and includes ClockWise Campus software with purchase.



### AUDIO

8" high-efficiency speaker.  
Audible up to 10ft radius (standard 10ft ceiling).



### MICROPHONE

Hands-free two-way intercom.



### PERIPHERAL INTEGRATION

Connect a call button.



### SOFTWARE

ClockWise Campus software included.  
Compatible with approved third-party software.



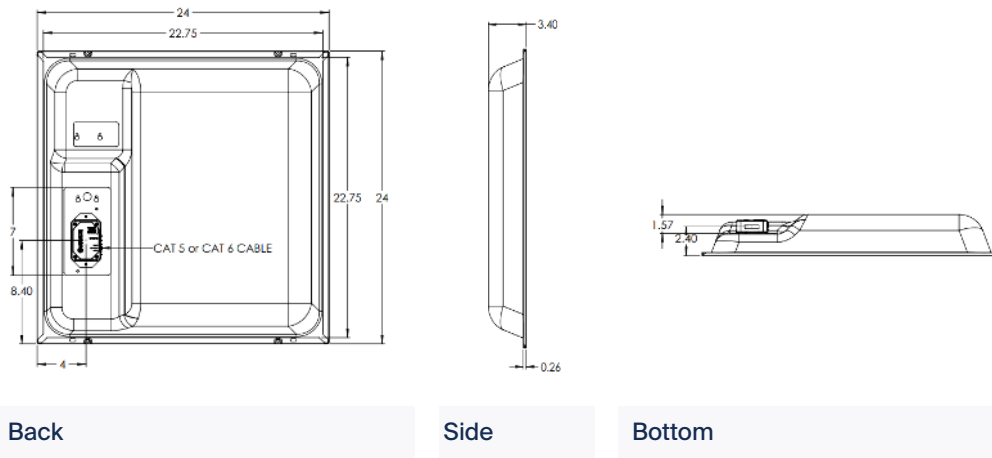
### SIP INTEGRATION

SIP-enabled.  
Easily interfaces with VoIP / SIP phone systems.

Solutions	Additional Features	Compatible Peripherals
<ul style="list-style-type: none"> <li>• Paging</li> <li>• Intercom</li> <li>• Bell scheduling</li> <li>• Code alerts</li> <li>• Emergency notification</li> <li>• Sound Masking</li> <li>• Music streaming</li> </ul>	<ul style="list-style-type: none"> <li>• Built-in web server</li> <li>• Full multicast and broadcast support</li> </ul>	<ul style="list-style-type: none"> <li>• Call Button Kit with Mic BTN-KIT-MIC-ND</li> </ul>

## Dimensions

(Dimensions are subject to change)



## Specifications

Due to continual product development, specifications are subject to change without notice.

Power Input	PoE (IEEE802.3af) 15.4 W or PoE+ (IEEE802.3at) 30.0 W
Ethernet I/F	10/100 Mbps
Audio Power	8 W / 16 W
Frequency Response	60 Hz - 17 kHz
Audio Payload Types	G711, A-law and $\mu$ -law
Average Sensitivity	95dB, 1W / 1 M
Supported Protocols	SIP, IPv4, IPv6, 802.1X, HTTP, SLP, TFTP, NTP, SNMPV1 & SNMPV2c, DHCP, IGMP, ICMP, TCP/IP, LLDP-MED, UDP, MDNS & MDNS-SD
Input	1 Input via RJ-12 cable, typically used with the BTN-KIT-MIC-ND (button kit). Note this accessory moves device microphone operation to the button kit.
Operating Temperature	14° TO 122° F (-10° TO 50° C)
Dimensions	24" W x 24" H x 3.4" D
Weight	6.5 lbs (2.95 kg)
Warranty	2 Year Limited
Cabling	Requires Cat5 or better cable



Advanced Network Devices | 3820 N. Ventura Dr. Arlington Hts. IL 60004  
847-463-2236 | sales@anetd.com | www.anetd.com



Model IPSCM  
Advanced Network Devices  
www.anetd.com  
California ETL 333-0000-1  
Cert. No. CMC SA 333-222-0000-1  
420V/51.0A/60 Hz, 25.5 W Max  
802.3af PoE