

IPSWS-SM-O

Outdoor IP Compressed Horn

Overview

Broadcast announcements outdoors or in a large room with the PoE Outdoor IP Compressed Horn. It functions as a durable, weather-resistant, surface-mount horn that extends the reach of audio communications to outdoor environments.

The IPSWS-SM-O easily integrates with VoIP phone systems, approved 3rd party software, and includes ClockWise Campus software with purchase.

Description



AUDIO

High-efficiency compression horn. Audio coverage up to 4,000ft².



OUTDOOR APPLICATIONS

Ingress protection marking IP54 (IEC standard 60529). Solid particle protection and liquid ingress protection.



SOFTWARE

ClockWise Campus software included. Compatible with approved third-party software.



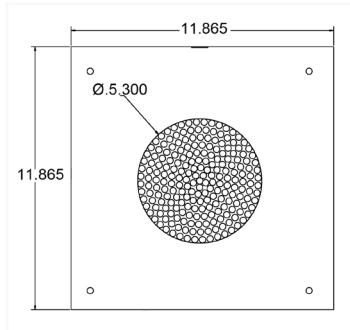
SIP INTEGRATION

SIP-enabled. Easily interfaces with VoIP / SIP phone systems.

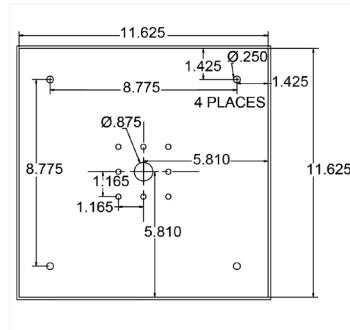
Solutions	Additional Features	Compatible Peripherals
<ul style="list-style-type: none"> • Paging • Bell scheduling • Code alerts • Emergency notification • Music streaming 	<ul style="list-style-type: none"> • Built-in web server • Full multicast and broadcast support • Requires Cat5 or Cat6 cable • Back enclosure is included 	<ul style="list-style-type: none"> • N/A

Dimensions

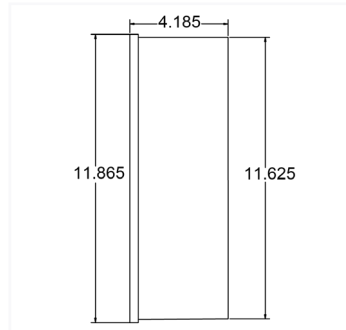
(Dimensions are subject to change)



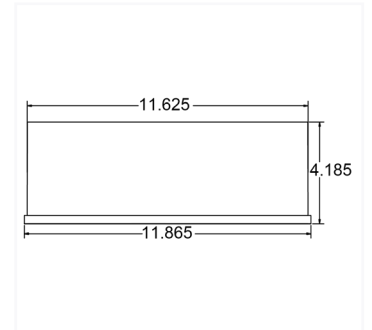
Front



Back



Side



Top

Specifications

Due to continual product development, specifications are subject to change without notice.

Power Input	PoE (IEEE802.3af) 15.4 W or PoE+ (IEEE802.3at) 30.0 W
Ethernet I/F	10/100 Mbps
Audio Power	8 W / 16 W
Frequency Response	600 Hz - 14 kHz
Audio Payload Types	G711, A-law and μ -law
Average Sensitivity	104dB, 1W / 1 M
Supported Protocols	SIP, IPv4, IPv6, 802.1X, HTTP, SLP, TFTP, NTP, SNMPV1 & SNMPV2c, DHCP, IGMP, ICMP, TCP/IP, LLDP-MED, UDP, MDNS & MDNS-SD
Operating Temperature	14° TO 122° F (-10° TO 50° C)
Dimensions	11.87" W x 11.87" H x 4.19" D
Weight	10 lbs (4.54 kg)
Warranty	2 Year Limited

